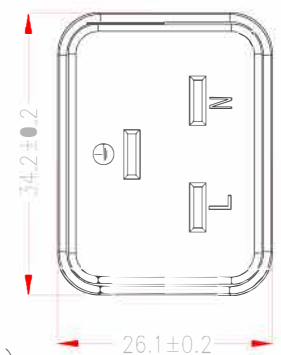
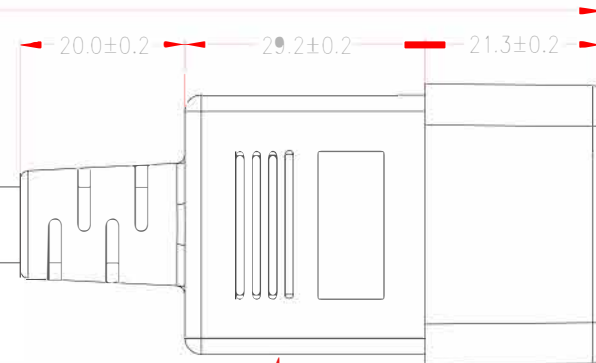
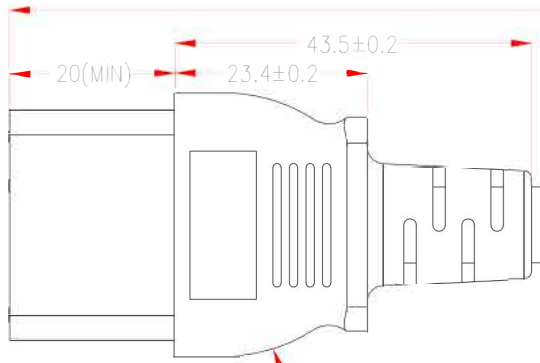
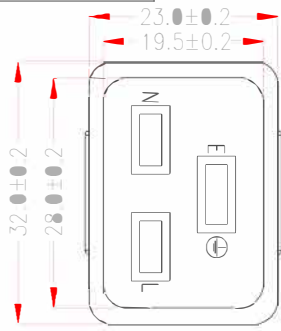


P1: M-042

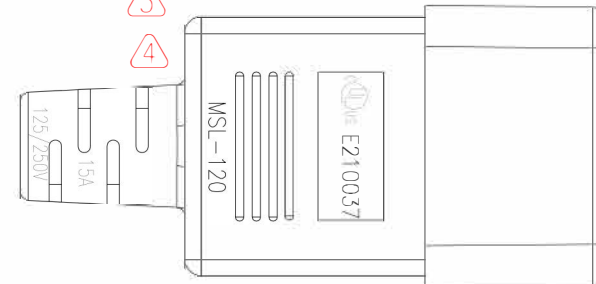
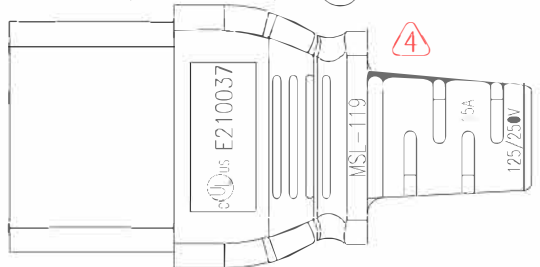
P2: M-043

Customer No.:



EC 320 C19(MSL-119) ②

① IEC 320 C20(MSL-120)



PACKING A: ≥1FT

PACKING B: ≥2FT

PACKING C: <2FT

④ P1,P2: cULus E210037

④ NOTE: All relevant materials are complied with RoHS directive .

⑤ THE MARKING IS PROTRUDING LETTERING MOULD

MARKING: (UL) SJT 3/C 14AWG(2.08MM<sup>2</sup>) VW-1 105°C 300V E204978  
 CSA SJT 3/C 2.08MM<sup>2</sup>(14AWG) FT2 105°C 300V 204790 MSL

	P1		P2
BLACK	L	_____	L
WHITE	N	_____	N
GREEN	E	_____	E

3	UL SJT 14AWG x 3C, OD 9.3mm, JACKET BLACK, DRAWING No. EPSVT011403C-147	H5TC21-0304K09	L-30mm	M304	
2	MOLDED PVC 35P, BLACK	H1BC02-0304K09		M304	
	BRACKET: YST-038	A1QC37-0767	1	M767	
	TERMINAL: 97607BS-1	A1QB35-0257	1	M257	
1	MOLDED PVC 35P, BLACK	H1BC02-0304K09	1	M304	
	BRACKET: YST-037	A1QC36-0767	1	M767	
	TERMINAL: 98739ABS-0	A1QB33-0257	3	M257	
No.	DESCRIPTION			Q'TY	Supplier

⑤ REV.52017.08.4	MODIFY CABLE		
③ REV.3 2015.03.05	MODIFY PLUG LOGO	④ REV.4 2015.10.12	MODIFY PLUG LOGO & ADD NOTE
① REV.1 2012.10.19	MODIFY MOLDED	② REV.2 2012.10.30	MODIFY PACKING

APPROVED			<b>UNC</b>		Unless Otherwise SPEC. Tolerances: 0. ±0.5 .0 ±0.3 .00 ±0.1
CHECKED	HU	04/AUG/17	DRAWN NAME	POWER SUPPLY CORDS & CORDS SETS	
DRAWING	ZHU	04/AUG/17	PRODUCT NO.	<b>PWCD-C19C20-15A-XXF-BLK</b>	
NOTE: Cable Length Unless Otherwise Spec. Tolerances: Under 6FT ±25mm; Another ±50mm					UNIT: mm